

Kitchen Bathroom & Beyond...



WOLFSTONE™

Solid Acrylic Surfaces

Better Surface | Better Industry | Better Living

CONTENTS

- 2 Wolfstone™ Decors
- 3 What is Wolfstone™ Solid Surface Worktops
- 3 Wolfstone™ Modular Size Selection
- 5 What Makes Wolfstone™ So Special
- 7 Wolfstone™ Compared to Granite & Quartz
- 7 Wolfstone™ for Kitchens
- 8 Wolfstone™ for Bathrooms
- 8 Wolfstone™ for Other Areas
- 9 Wolfstone™ Videos to Get You Started



Manufacturer Warranty



WOLFSTONE

Available Wolfstone™ Decors

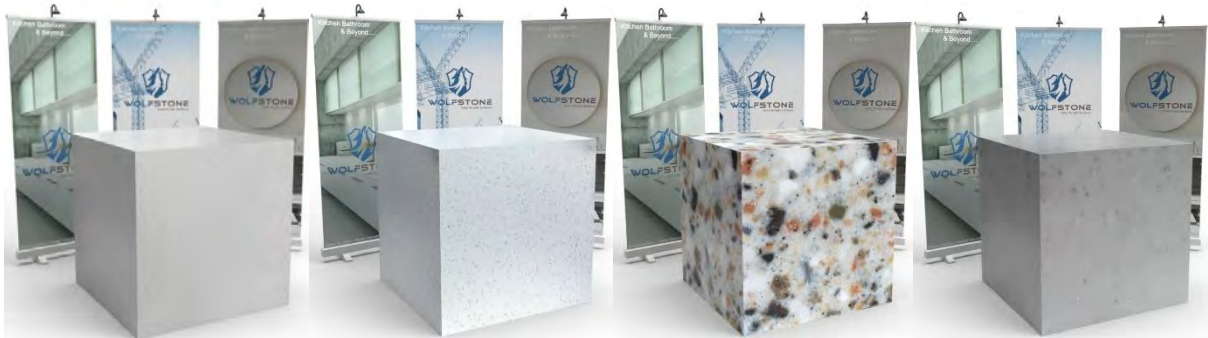


Pure White

***** Snow**

∞ Carrara

∞ Cloud



Blizzard

***** Chalk Cliffs**

Orchard

***** ∞ Crisallo**



***** ∞ Crystal Mountain**

∞ Baltic

∞ Coral Mountain

Snowpeak



***** Concrete Shimmer**

***** ∞ Mocca**

Night

Galaxy

***** Contains sparkle element**

∞ Veined Décor

Dark or heavily pigmented surface finishes will show marks, scratches and ordinary wear and tear more readily than lighter textured colours.

What is Wolfstone™ Solid Surface?

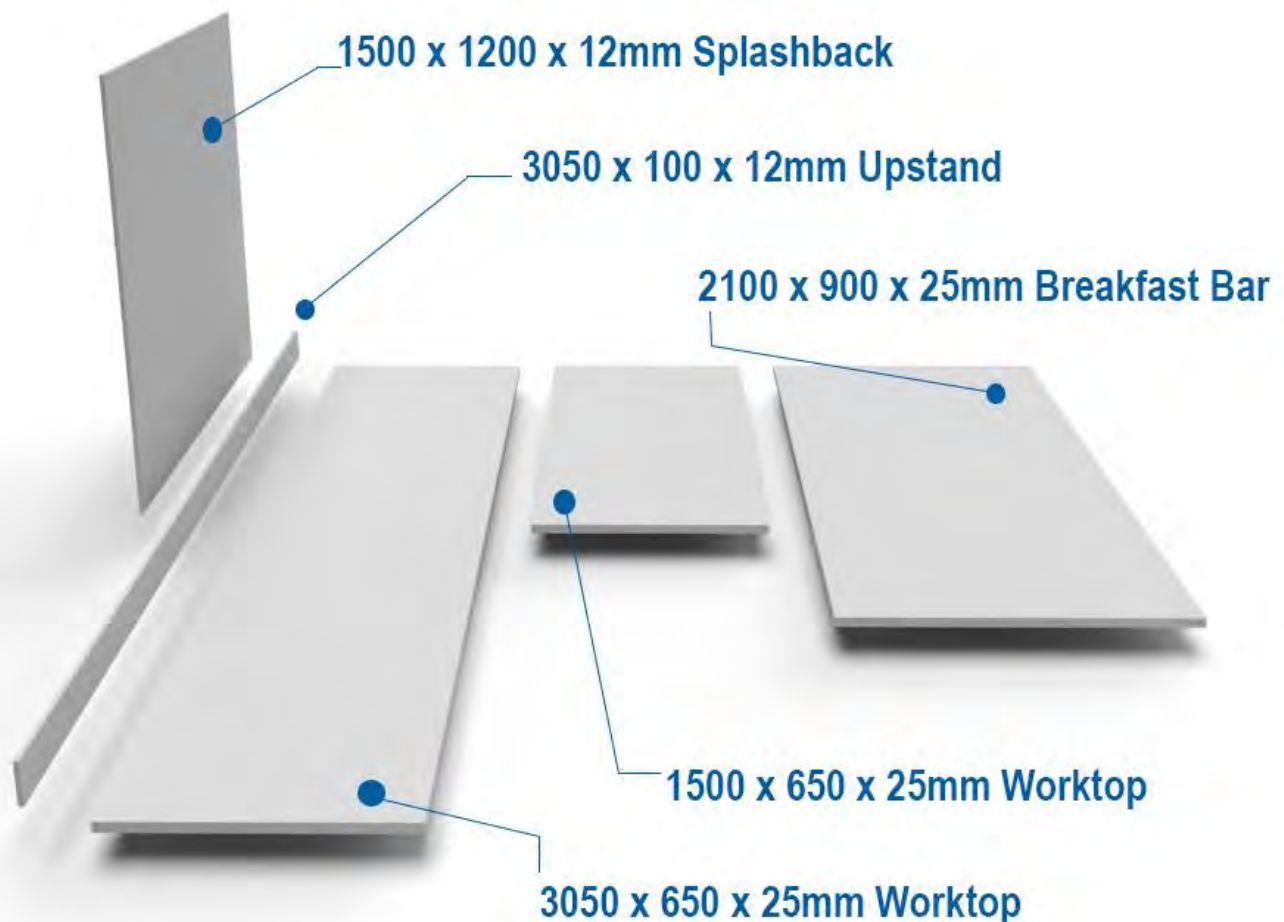
Wolfstone™ is a range of versatile Solid Acrylic Surfaces that have all the natural characteristics of stone combined with exceptional practicality and flexibility, all at reduced installation, labour, and material costs. Wolfstone™ is a hygienic, waterproof, and renewable stone alternative that is easy to install and cut onsite.

Solid Surface Worktops are made by the vacuum casting of raw materials such as acrylic resin, ultra-fine aluminium hydroxide powder, other stabilizers and colour pigments to form slabs of surfaces such as Worktops, Breakfast Bars, Island units, Splashbacks and Upstands.

Wolfstone™ is ideal for kitchen and bathroom use but can be used in any area imaginable. Available in various thicknesses and sizes specifically designed to give you the colour, shape, and style you want without compromise.

Wolfstone™ Modular Size Selection

All Wolfstone™ worksurfaces are supplied ready for installation with smooth factory finished faces and edges. Wolfstone™ solid surfaces are manufactured to a full 25mm thickness with colour throughout.



Manufacturer Warranty



WOLFSTONE

What Makes Wolfstone™ So Special?

Wolfstone™ will change the way you look at Worktops, Worksurfaces, Countertops and the industry forever! At the heart of every Wolfstone™ surface it features the below attributes proving to be the most flexible and technologically advanced surface in South Africa.

Easy Installation



Kitchen professionals love working with our surfaces and are good at what they do but Wolfstone™ is for everyone. Due to its' easy installation process Wolfstone™ is a breeze to install, you will only need standard wood working tools to achieve a showroom quality installation, making it easy for all to install, even the competent home DIY enthusiast. This makes Wolfstone the most practical, all-round surface in South Africa.

Hardwearing & Durable



Wolfstone™ is scratch, impact, fade, stain, and heat resistant (under normal kitchen use) making it by far the most durable and hardwearing kitchen surface in South Africa. To aid in the longevity of the worksurface we recommend using worktop protectors, cutting boards and hot rods as much as possible, coupled with a good basic cleaning and maintenance schedule.

Hygienic & Low Maintenance



Wolfstone™ is a 100% non-porous surface which also means it is 100% hygienic. No germs or mould can grow on the surface. Coupled with its seamless and uninterrupted lines it is the perfect wipe clean, low maintenance worktop solution that any busy home, business or industry would benefit from. Leaving more time for the important things in life and business, not cleaning.

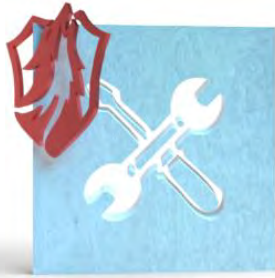


Manufacturer Warranty



WOLFSTONE

Renewable/Repairable



In the event of the worksurface being damaged, burnt or scratched during excessive use, a quick sanding of the surface can return it back to its former splendour, all done without removing the surface. Now imagine a busy family kitchen, restaurant or reception worksurface area that can simply be renewed after years of hard work, now that's what we call innovation.

Naturally Inspired Perfection



Naturally inspired, perfected by us; Wolfstone™ is a cool to the touch, carefully selected and constructed range of décors employing only the worlds latest surface technologies. From modern and sleek to farmhouse and cosy, not to mention hints of ruggedness surrounded by elegance, no matter what your vision one of our Wolfstone™ colours will be the perfect match. As

Wolfstone™ is solid it carries the same consistency and richness of colour through the entire thickness of the surface, insuring flawless edge details, visible cut-outs, drainer grooves and much more.

Seamless Joints



With Wolfstone™ colour matched adhesives and by correctly following worktop jointing instructions you can achieve seamless and inconspicuous joints. This leads to the visual splendour of uninterrupted lines, with work surfaces that are sleek, modern, and hygienic in nature. The ability to seamlessly join surfaces opens many doors to design possibilities, let your imagination set the limit.



Solid performance...

...total design flexibility



Manufacturer Warranty



WOLFSTONE

100% Waterproof 100% Solid



Wolfstone™ has NO chipboard or MDF sub-frame and is solid acrylic through the materials thickness, assuring you of a 100% waterproof composite material that will stand up to the test of even the wettest areas.



Easy Logistics



Every Wolfstone™ surface is wrapped and boxed for maximum protection allowing for safe transport and storage. We do this so when the worktop is required it is in perfect condition insuring an even easier and flawless installation process from the start. With unbelievable durability Wolfstone™ is still considerably less in weight compared to granite and quartz, making storage, delivery and logistics something that can now be managed

without heavy machinery or specialized equipment.



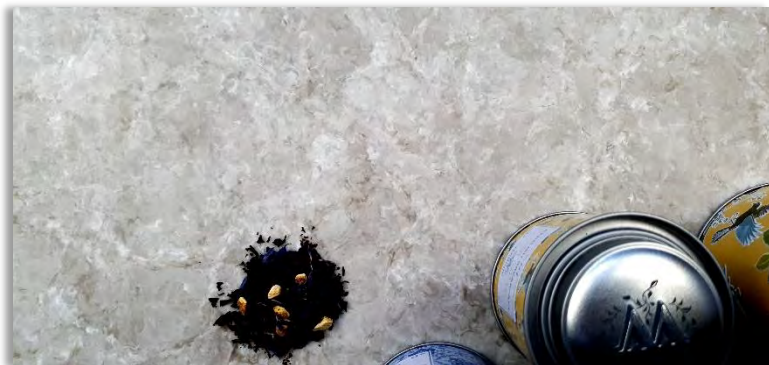
Cut-Outs on Site



You don't need to have stone to have an under-mounted sink. Wolfstone™ is 100% waterproof and solid in construction and colour. Now you can show off even more of your worksurface with visible cut-outs and drainer grooves at a fraction of the time and cost, all accomplished on-site.

Less Time | Better Results

Wolfstone™ is a better surface, for a better industry, that leads to better living.



Manufacturer Warranty



WOLFSTONE

Wolfstone™ Compared to Other Leading SA Surfacing Materials

	WOLFSTONE™ 25mm	GRANITE 25mm	QUARTZ 20mm	LAMINATE 30mm
Anti-bacterial	✓	✗	✗	✗
Non-porous	✓	✗	✗	✗
Scratch-resistant	✓	✓	✓	✓
Heat-resistant	✓	✓	✓	✓
UV-resistant	✓	✓	✓	✓
Seamless Jointing	✓	✗	✗	✗
Easy Cutting	✓	✗	✗	✓
Repairable	✓	✗	✗	✗
Cut-outs Onsite	✓	✗	✗	✓
Specialised Tooling Required	✗	✓	✓	✗
Undermounted Sinks	✓	✓	✓	✗



Wolfstone™ For the Kitchen

There is no other area in a home that will showcase Wolfstone better than the lively Kitchen.

From cold to hot, to wet and dry, not to mention the sharp and weighted objects your surface will face. The kitchen has every obstacle possible to challenge even the best surfaces. Wolfstone solid surface kitchen worktops were made exactly for this purpose and it is evident in all the amazing attributes what makes

our surface what it is....an easy to install, seamless, cost-effective, hygienic, wipe clean, worktop solution that is repairable.

These unique product features contribute to the versatility and overall design possibilities. You can now have over-sized breakfast bars and island units, curved or breakfront worktops, under-mounted sinks, reassessed hobs, drainer grooves and basically anything you can imagine, all with matching upstands and splashbacks for the complete all-rounded look.

All this design possibilities can be accomplished onsite with standard woodworking tools, making Wolfstone not only the most innovative and cost-effective alternative to granite and quartz but also the easiest, most practical and time conscious material as well.

Wolfstone™ For the Bathroom

There are many areas that would benefit from Wolfstone but none more so than the humble Bathroom. Not only will you be adding to the visual appeal of your bathroom by adding one of our trendsetting decors to your bathroom but with constant water and steam present, also be contributing to higher levels of hygiene and lower levels of maintenance and cleaning.



Replacing the old or starting new, bathroom worksurfaces with Wolfstone are now a breeze, achieving your remodelling goals in a fraction of the time. Not to mention the design possibilities that are now at your disposal, from detailed edges and curved corners to under-mounted or countertop basins and matching upstands.

All cut outs, holes and worktop finishing can be achieved onsite for further peace of mind and accuracy.

All our worktop lengths are suitable for this area, however our half-board length of 1500 x 650 x 25mm allows depth for more design possibilities and cutting down to specific sizes. This shorter length helps with unwanted wastage that is generally created by the smaller area of space and material required for it.

Wolfstone™ For All Other Areas

Utility rooms, offices, bars, restaurants, hotels, hospitals, dentistry's, and the famous South African braai area. Every one of these areas would benefit from the seamless, easy to install, low maintenance, 100% hygienic, repairable Wolfstone solid surface worktop.

All these areas have the same challenging environment as most busy kitchens in the home, making Wolfstone an absolute must to consider for these types of projects, it has been designed to perform at its optimal under these conditions. The natural adaptability of Wolfstone can add extra dimensions to any area working in harmony with other materials and products to beautiful effect, Wolfstone is the perfect partner.

Wolfstone™ Videos to Get you Started

Wolfstone Measuring Up Guide



Wolfstone Getting Started Guide



Wolfstone Worktop Cutting Guide



Wolfstone Sink & Hob Cut-Out Guide



WOLFSTONE

Pure White

Better Surface | Better Industry | Better Living

10
YEARS

Manufacturer Warranty



WOLFSTONE

Wolfstone™ Solid Surface comes with a 10 years manufacturers warranty.



Our **Wolfstone**™ Customer Care department is available to offer you support and technical advice.

We are committed to customer service excellence and supplying a quality and proven product.



WOLFSTONE

Product Information:

Wolfstone

Tel: 021 300 5375

Email: info@wolfstone.za.com

www.wolfstone.za.com



Distributor Information:

BBK-Direct SA (Pty) Ltd

Tel: 087 551 2725

Email: info@bbk-direct.za.com

www.bbk-direct.za.com